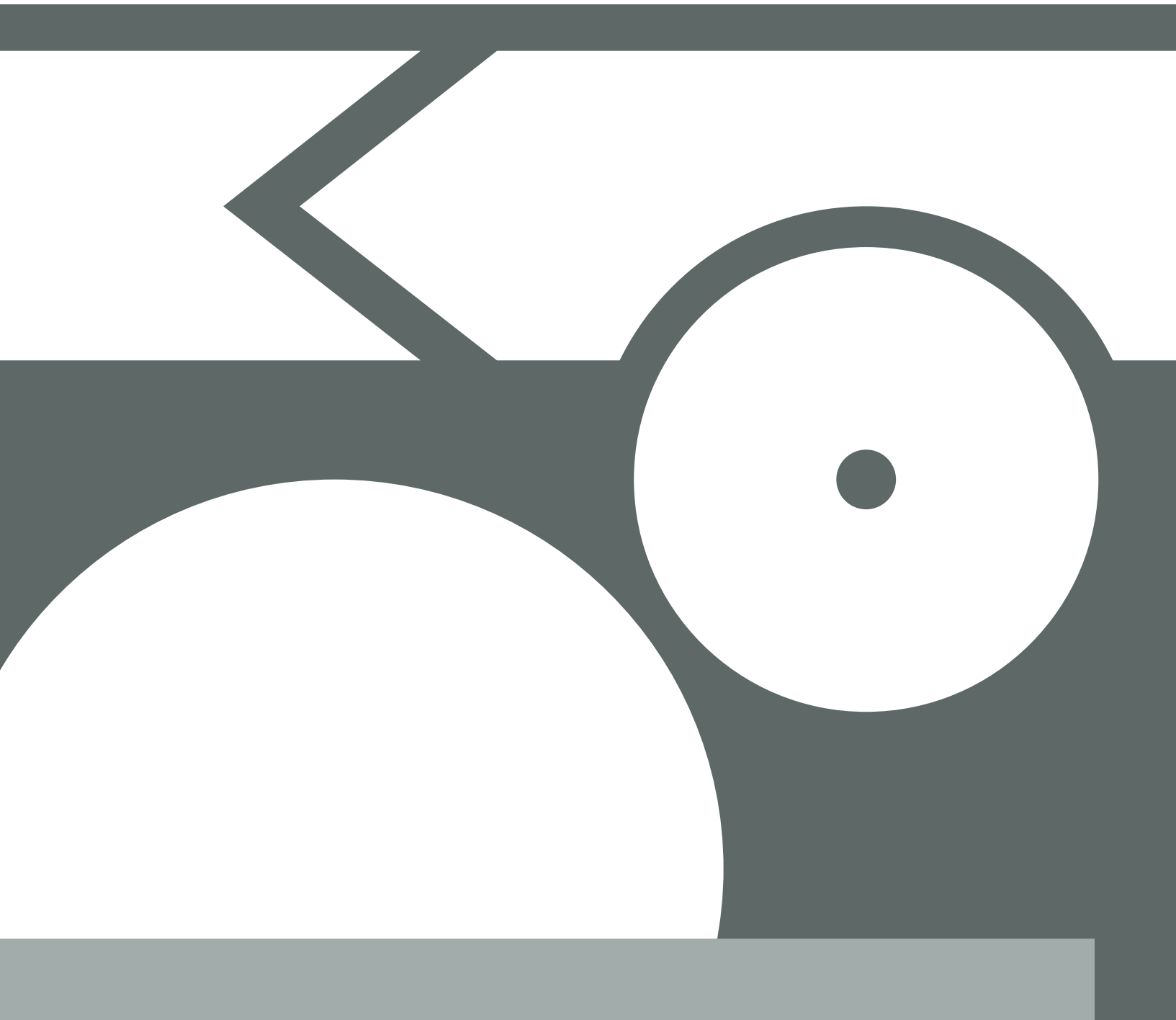


Parts Catalog



Mounting Set for 32 × 16 × 12 mm**Part Number BEF-SET-01****Mechanical Data**

Material	Steel zinc-plated
Packaging unit	1 Piece

**Mounting Set for 54,5 × 27 × 16 mm, 75 × 33 × 18 mm and 50 × 50 × 20 mm****Part Number BEF-SET-02****Mechanical Data**

Material	Steel zinc-plated
Packaging unit	1 Piece

**Mounting Set for 81 × 75 × 34 mm****Part Number BEF-SET-03****Mechanical Data**

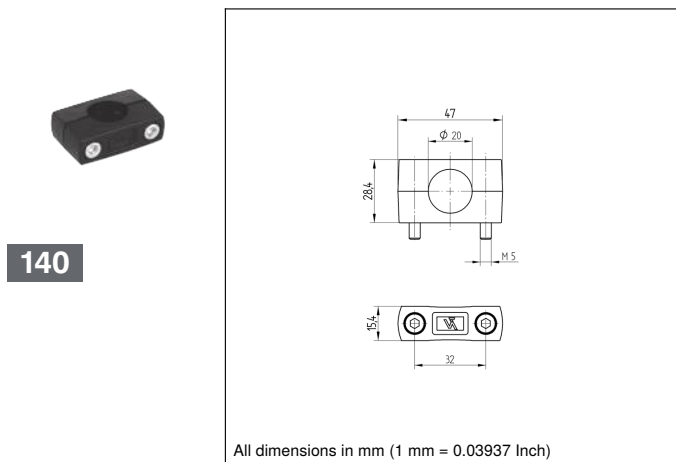
Material	Steel zinc-plated
Packaging unit	1 Piece

**Mounting Set for 54,5 × 27 × 16 mm****Part Number BEF-SET-04****Mechanical Data**

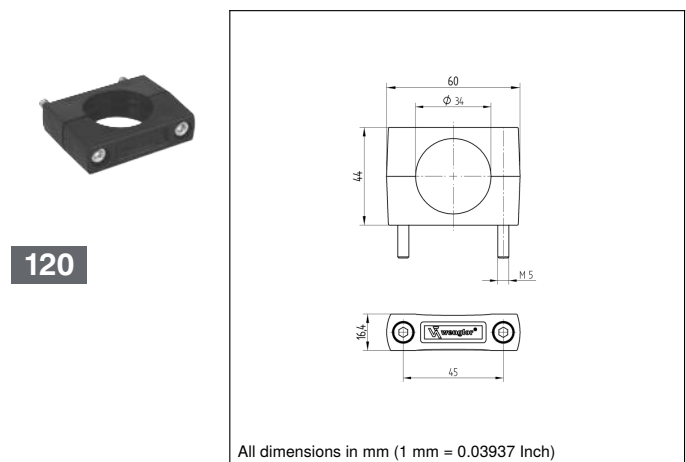
Material	Steel zinc-plated; CuZn, nickel-plated
Packaging unit	1 Piece

**Mounting Clamp for Ø 20 mm****Part Number BEF-SET-05****Mechanical Data**

Material	Plastic
Packaging unit	1 Piece

**Mounting Clamp for Ø 34 mm****Part Number BEF-SET-06****Mechanical Data**

Material	Plastic
Packaging unit	1 Piece



Mounting Set for Reflex Sensor M18 × 1
Part Number BEF-SET-07
Mechanical Data

Material	Plastic; Glass
Packaging unit	1 Piece


Mounting Set for fiber optic cable sensor 54,5 × 27 × 16 mm
Part Number BEF-SET-08
Mechanical Data

Material	Plastic; Steel zinc-plated
Packaging unit	1 Piece


Mounting Set for Fiber Optic Cable Sensors M18 × 1
Part Number BEF-SET-09
Mechanical Data

Material	Plastic
Packaging unit	1 Piece


Mounting Set for Fiber Optic Cable Sensors M18 × 1
Part Number BEF-SET-10
Mechanical Data

Material	Plastic
Packaging unit	1 Piece


Mounting Set for Fiber Optic Cable Sensors M18 × 1
Part Number BEF-SET-11
Mechanical Data

Material	Stainless Steel; Plastic
Packaging unit	1 Piece


Mounting Set for Fiber Optic Cable Sensors M18 × 1
Part Number BEF-SET-13
Mechanical Data

Material	CuZn, nickel-plated; Plastic
Packaging unit	1 Piece



Mounting Set for 50 × 50 × 20 mm and fork sensors
Part Number BEF-SET-14

Mechanical Data

Material	Steel zinc-plated
Packaging unit	1 Piece



Mounting Set for analog evaluation unit
Part Number BEF-SET-19

Mechanical Data

Material	Steel zinc-plated
Packaging unit	1 Piece



Mounting Set for 40 × 45 × 62 mm
Part Number BEF-SET-21

Mechanical Data

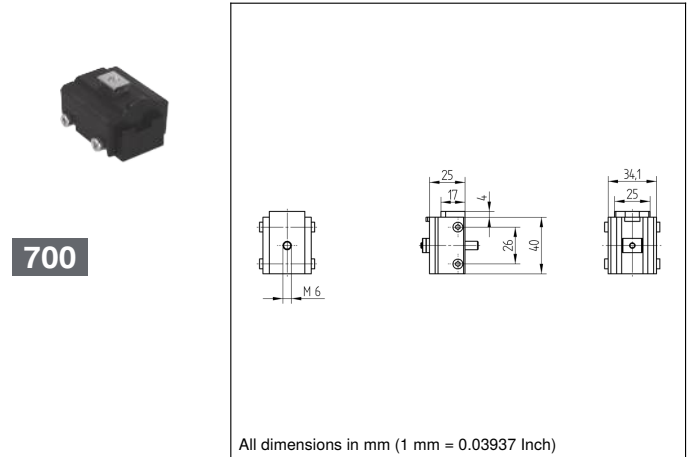
Material	Steel zinc-plated
Packaging unit	1 Piece



Mounting Element for 40,2 × 47,1 mm
Part Number BEF-SET-18

Mechanical Data

Material	Aluminum, anodised
Packaging unit	1 Piece



Mounting Set for mounting arm FISZ-BW-01
Part Number BEF-SET-20

Mechanical Data

Material	Steel zinc-plated
Packaging unit	1 Piece



Mounting Set for 16 × 25 × 4 mm and plastic fiber optic cable
Part Number BEF-SET-23

Mechanical Data

Material	Steel zinc-plated
Packaging unit	1 Piece



Mounting Set for 40 × 40 × 70 mm
Part Number BEF-SET-27
Mechanical Data

Material	Steel zinc-plated
Packaging unit	1 Piece



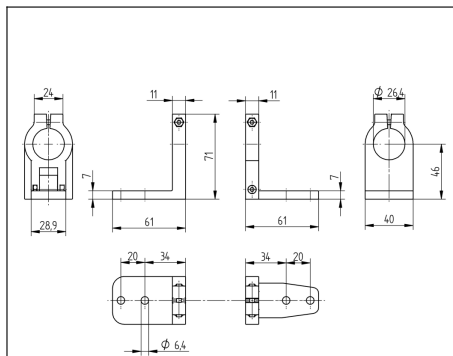
- Illustration similar -

Mounting Set for 40,2 × 47,1 mm
Part Number BEF-SET-33
Mechanical Data

Material	Plastic PA
Packaging unit	2 Pieces



700



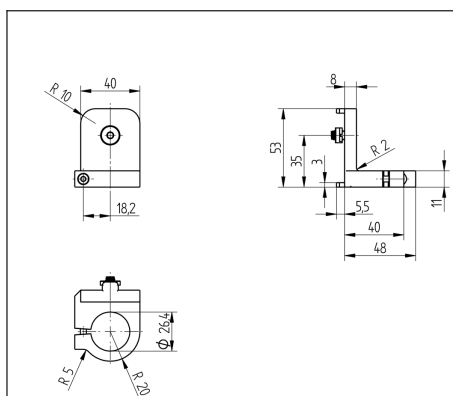
All dimensions in mm (1 mm = 0.03937 Inch)

Mounting Set for 40,2 × 47,1 mm in Protection Column
Part Number BEF-SET-36
Mechanical Data

Material	Plastic PA
Packaging unit	2 Pieces



710



All dimensions in mm (1 mm = 0.03937 Inch)

Mounting Set
Part Number BEF-SET-28
Mechanical Data

Material	Steel zinc-plated
Packaging unit	1 Piece


Mounting Set for 81 × 55 × 30 mm
Part Number BEF-SET-34
Mechanical Data

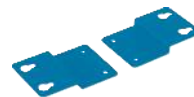
Material	Steel zinc-plated
Packaging unit	1 Piece



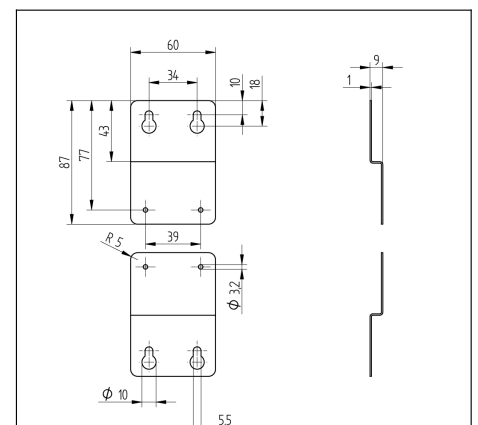
- Illustration similar -

Mounting Set for 274 × 193 × 85 mm
Part Number BEF-SET-35
Mechanical Data

Mounting Mode	Wall Mounting
Material	Steel Plate
Packaging unit	1 Piece



520



All dimensions in mm (1 mm = 0.03937 Inch)

Mounting Set for 50 × 50 × 20 mm**Part Number BEF-SET-37****Mechanical Data**

Material	Plastic
Packaging unit	2 Pieces

**Mounting Set for 50 × 50 × 30 mm****Part Number BEF-SET-38****Mechanical Data**

Material	Steel zinc-plated
Packaging unit	1 Piece

**Mounting Set for 29 × 60 × 52 mm and 45 × 52 × 87 mm****Part Number BEF-SET-39****Mechanical Data**

Material	Steel zinc-plated
Packaging unit	1 Piece

**Mounting Set for 188/224 × 84 × 35 mm****Part Number BEF-SET-40****Mechanical Data**

Material	Plastic; Steel zinc-plated; Copper tin-plated
Packaging unit	1 Piece

**Mounting Set for 70 × 40 × 22 mm****Part Number BEF-SET-41****Mechanical Data**

Material	Steel zinc-plated
Packaging unit	1 Piece

**Mounting Set for 75 × 33 × 18 mm****Part Number BEF-SET-42****Mechanical Data**

Material	Stainless Steel
Packaging unit	1 Piece



Mounting Set for 81 × 55 × 47 mm
Part Number BEF-SET-43
Mechanical Data

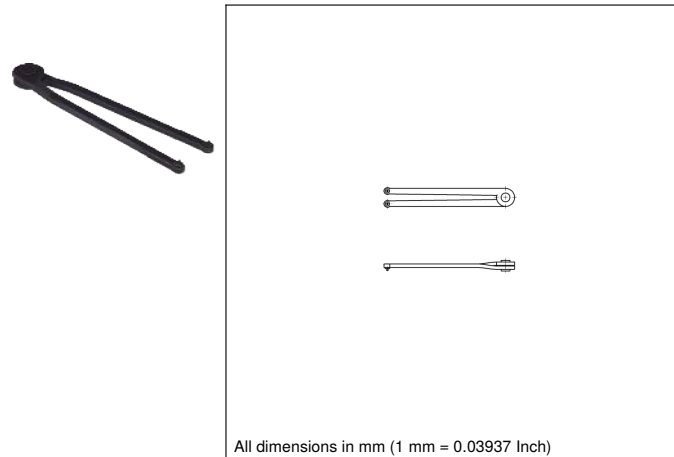
Material	Steel zinc-plated
Packaging unit	1 Piece


Mounting Set for 50 × 50 × 20 mm
Part Number BEF-SET-44
Mechanical Data

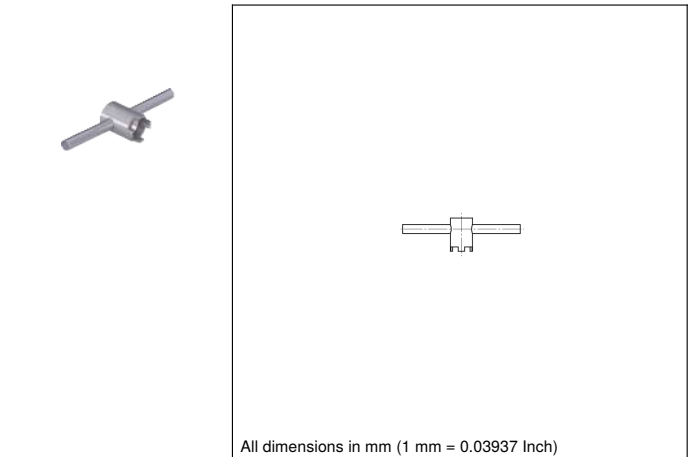
Material	Plastic
Packaging unit	2 Pieces


Adjustment Key for ZD600_/ZW600_
Part Number E1L
Mechanical Data

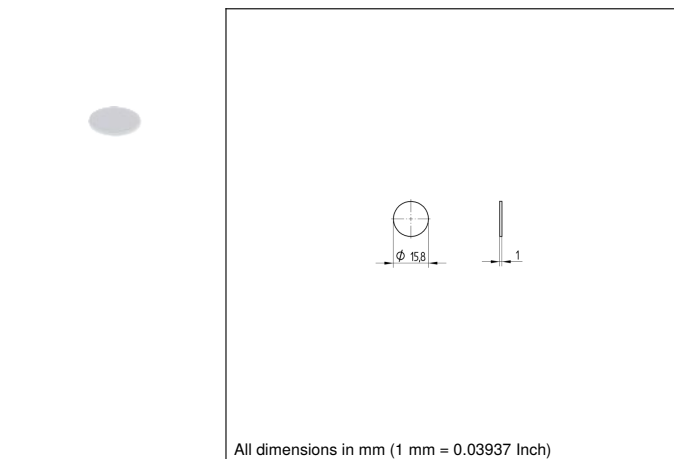
Material	Metal
Packaging unit	1 Piece


Adjustment Key for YO99_
Part Number E2L
Mechanical Data

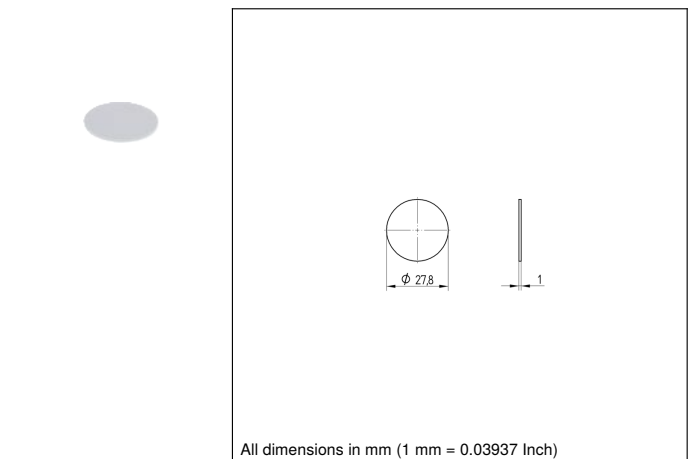
Material	Aluminum
Packaging unit	1 Piece


Glass Disk for Fiber Optic Cable Sensors M18 × 1
Part Number GS1
Mechanical Data

Material	Glass
Packaging unit	1 Piece


Glass Disk for Fiber Optic Cable Sensors M30 × 1
Part Number GS2
Mechanical Data

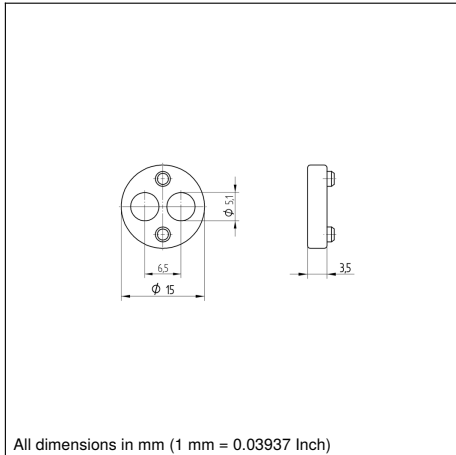
Material	Glass
Packaging unit	1 Piece



Adjustment Disk for Fiber Optic Cable Sensors M18 × 1
Part Number JU2

Mechanical Data

Material	Plastic
Packaging unit	1 Piece



Optical Fiber Plastic
Part Number K51

Optical Data

Fiber Core Diameter	1 mm
Fiber Core	PMMA
Fiber	Stepped Index
Opening Angle	55 °

Mechanical Data

Temperature Range	-40...85 °C
Bending Radius	30 mm
Fiber Optic Length	10 m
Material Jacket	PE (black)
Diameter Jacket	2,2 mm
Packaging unit	1 Piece



Optical Fiber Plastic
Part Number K50

Optical Data

Fiber Core Diameter	1 mm
Fiber Core	PMMA
Fiber	Stepped Index
Opening Angle	55 °

Mechanical Data

Temperature Range	-40...85 °C
Bending Radius	30 mm
Fiber Optic Length	10 m
Material Jacket	PE (black)
Diameter Jacket	2,2 mm
Packaging unit	1 Piece



Optical Fiber Plastic
Part Number K53

Optical Data

Fiber Core Diameter	0,5 mm
Fiber Core	PMMA
Fiber	Stepped Index
Opening Angle	55 °

Mechanical Data

Temperature Range	-40...85 °C
Bending Radius	15 mm
Fiber Optic Length	10 m
Material Jacket	PE (black)
Diameter Jacket	1 mm
Packaging unit	1 Piece

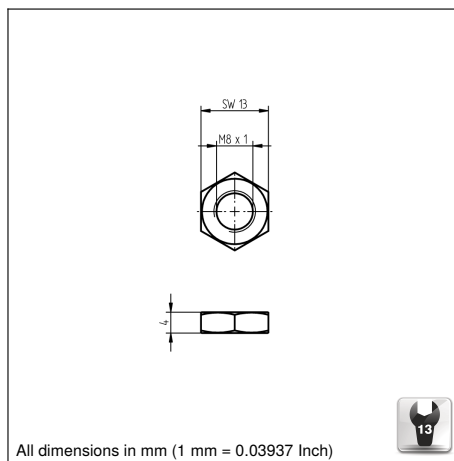


Replacement Lamp for FW01
Part Number L1
Optical Data

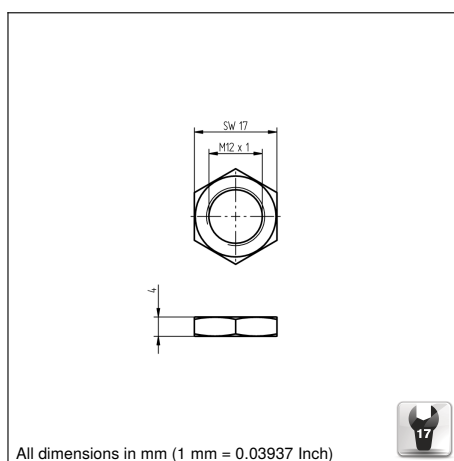
Service Life (T = +25 °C)	2000 h
Packaging unit	1 Piece


Hex-Nut M8 × 1
Part Number MUTTER-M8-E001
Mechanical Data

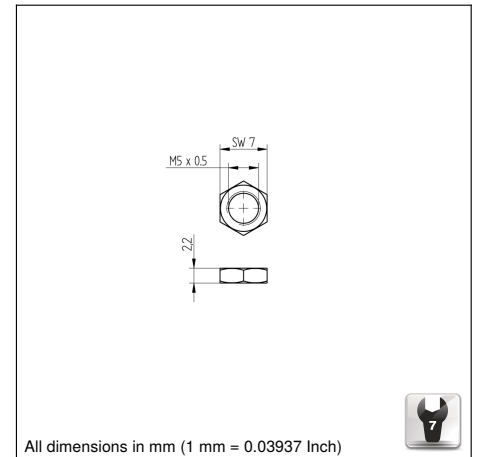
Material	CuZn, nickel-plated
Packaging unit	2 Pieces


Hex-Nut M12 × 1
Part Number MUTTER-M12-E001
Mechanical Data

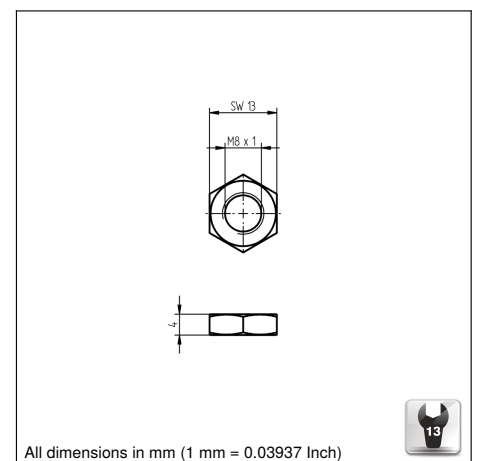
Material	CuZn, nickel-plated
Packaging unit	2 Pieces


Hex-Nut M5 × 0,5
Part Number MUTTER-M5-E003
Mechanical Data

Material	Stainless Steel
Packaging unit	2 Pieces


Hex-Nut M8 × 1
Part Number MUTTER-M8-E002
Mechanical Data

Material	Plastic
Packaging unit	2 Pieces



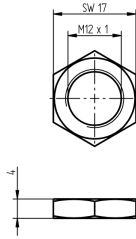
Hex-Nut M12 x 1

Part Number MUTTER-M12-E002

Mechanical Data

Material Plastic

Packaging unit 2 Pieces



All dimensions in mm (1 mm = 0.03937 Inch)



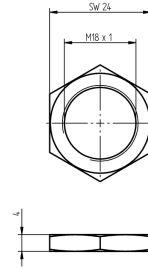
Hex-Nut M18 x 1

Part Number MUTTER-M18-E001

Mechanical Data

Material CuZn, nickel-plated

Packaging unit 2 Pieces



All dimensions in mm (1 mm = 0.03937 Inch)



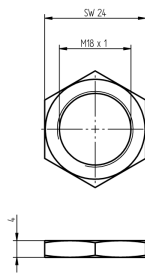
Hex-Nut M18 x 1

Part Number MUTTER-M18-E002

Mechanical Data

Material Plastic

Packaging unit 2 Pieces



All dimensions in mm (1 mm = 0.03937 Inch)



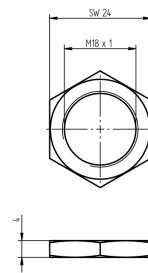
Hex-Nut M18 x 1

Part Number MUTTER-M18-E003

Mechanical Data

Material Stainless Steel V2A

Packaging unit 2 Pieces



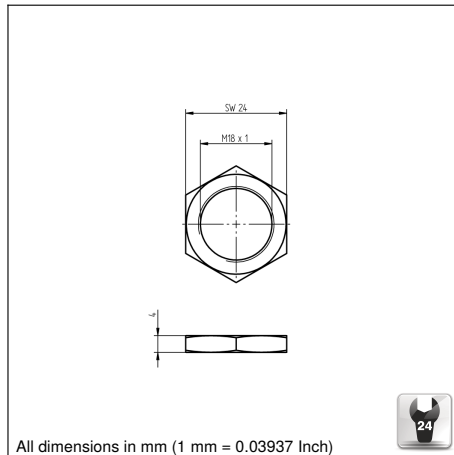
All dimensions in mm (1 mm = 0.03937 Inch)



Hex-Nut M18 × 1
Part Number MUTTER-M18-E012
Mechanical Data

Material Plastic

Packaging unit 1 Piece

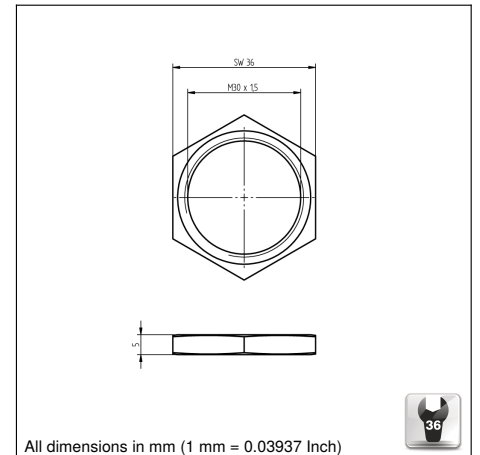


All dimensions in mm (1 mm = 0.03937 Inch)

Hex-Nut M30 × 1,5
Part Number MUTTER-M30-E001
Mechanical Data

Material CuZn, nickel-plated

Packaging unit 2 Pieces

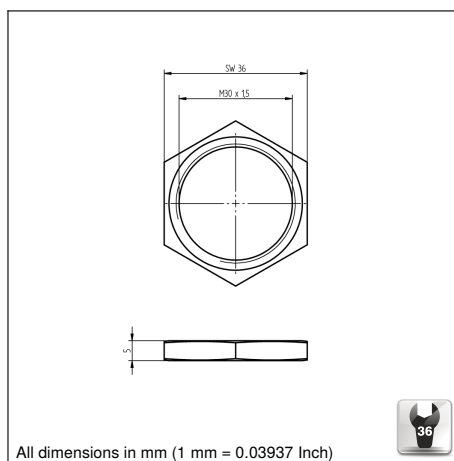


All dimensions in mm (1 mm = 0.03937 Inch)

Hex-Nut M30 × 1,5
Part Number MUTTER-M30-E002
Mechanical Data

Material Plastic

Packaging unit 2 Pieces

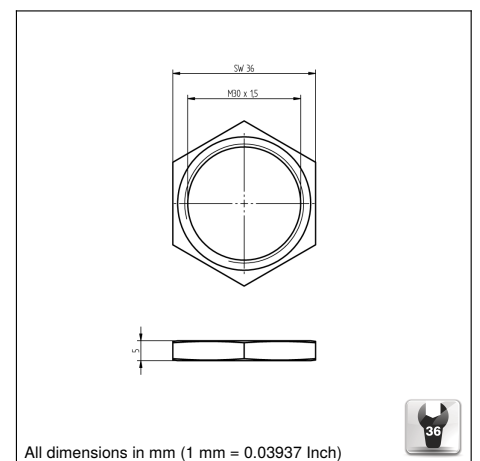


All dimensions in mm (1 mm = 0.03937 Inch)

Hex-Nut M30 × 1,5
Part Number MUTTER-M30-E003
Mechanical Data

Material Stainless Steel

Packaging unit 2 Pieces

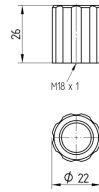


All dimensions in mm (1 mm = 0.03937 Inch)

Cap Nut M18 × 1
Part Number UEM18KU-01

Mechanical Data

Height	26 mm
Material	Plastic PBT
Packaging unit	10 Pieces

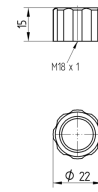


All dimensions in mm (1 mm = 0.03937 Inch)

Cap Nut M18 × 1
Part Number UEM18KU-02

Mechanical Data

Height	15 mm
Material	Plastic PBT
Packaging unit	10 Pieces

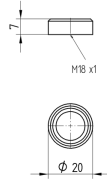


All dimensions in mm (1 mm = 0.03937 Inch)

Cap Nut M18 × 1
Part Number UEM18ME-01

Mechanical Data

Height	7 mm
Material	CuZn, nickel-plated
Packaging unit	10 Pieces

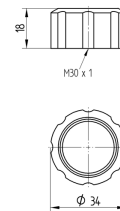


All dimensions in mm (1 mm = 0.03937 Inch)

Cap Nut M30 × 1,5
Part Number UEM30KU-01

Mechanical Data

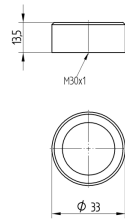
Height	18 mm
Material	Plastic PBT
Packaging unit	10 Pieces



All dimensions in mm (1 mm = 0.03937 Inch)

Cap Nut M30 × 1,5
Part Number UEM30ME-01
Mechanical Data

Height	13,5 mm
Material	CuZn, nickel-plated
Packaging unit	10 Pieces



All dimensions in mm (1 mm = 0.03937 Inch)

Valve Accessory Cap Nut for valve VENTIL-K27
Part Number VENTILZUBE-K10
Mechanical Data

Material	Plastic
Packaging unit	1 Piece


Plastic Washer
Part Number Z0001
Mechanical Data

Material	Plastic
Packaging unit	2 Pieces

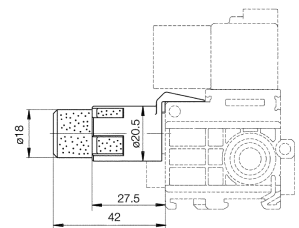

Valve Accessory Sound Absorber
Part Number VENTILZUBE-K03
Electrical Data

Temperature Range	-25...60 °C
-------------------	-------------

Pneumatic Solenoid Valve Unit

Operating Pressure	0...10 bar
--------------------	------------

Packaging unit	1 Piece
----------------	---------



All dimensions in mm (1 mm = 0.03937 Inch)

Valve Accessory Sound Absorber for valve VENTIL-K27
Part Number VENTILZUBE-K09
Mechanical Data

Material	Sintered Bronze
Packaging unit	1 Piece


Indication Label ATEX
Part Number Z0002

Packaging unit	1 Piece
----------------	---------

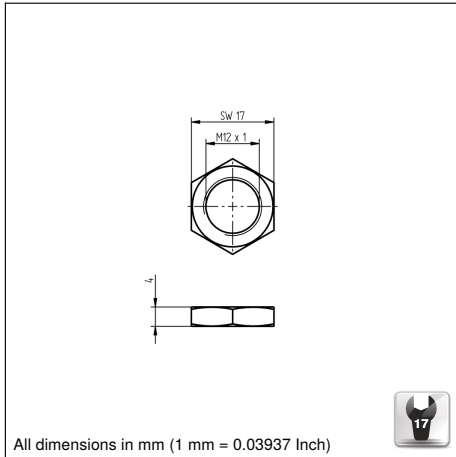


Hex-Nut M12 × 1
Part Number Z0004

Mechanical Data

Material Stainless Steel 316L

Packaging unit 2 Pieces

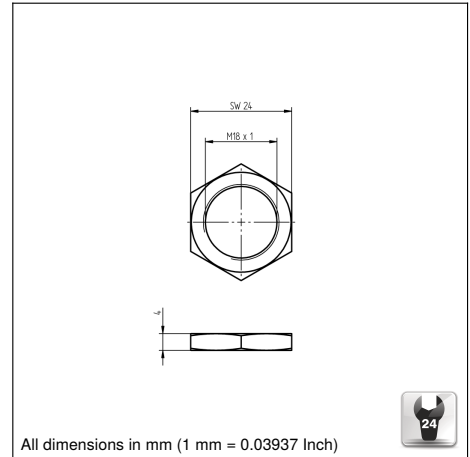


Hex-Nut M18 × 1
Part Number Z0005

Mechanical Data

Material Stainless Steel 316L

Packaging unit 2 Pieces

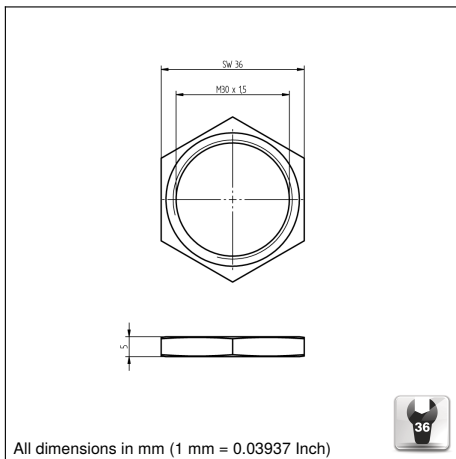


Hex-Nut M30 × 1,5
Part Number Z0006

Mechanical Data

Material Stainless Steel 316L

Packaging unit 2 Pieces

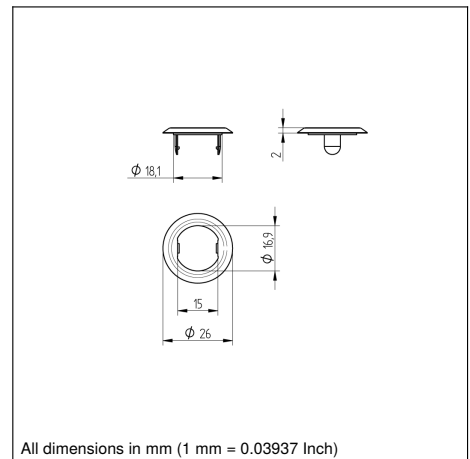


Mounting Console for M18 × 1 plastic
Part Number Z0008

Mechanical Data

Material Plastic

Packaging unit 10 Pieces



Sealing Ring for InoxLock Set
Part Number Z0013

Mechanical Data

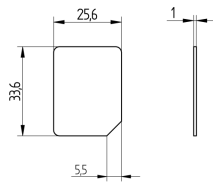
Material Silicone (FDA)

Packaging unit 10 Pieces



Screening Grid for ZST-NN-02
Part Number Z0017
Mechanical Data

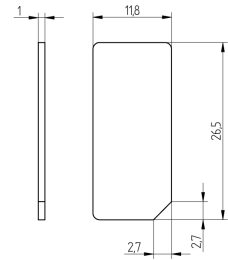
Material	PMMA (coated)
Packaging unit	10 Pieces



All dimensions in mm (1 mm = 0.03937 Inch)

Screening Grid for ZSM-NN-02
Part Number Z0018
Mechanical Data

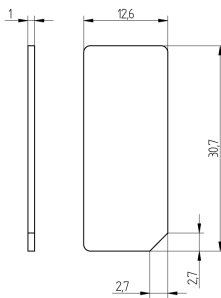
Material	PMMA (coated)
Packaging unit	10 Pieces



All dimensions in mm (1 mm = 0.03937 Inch)

Screening Grid for ZSN-NN-02
Part Number Z0019
Mechanical Data

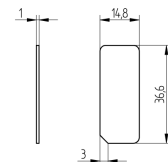
Material	PMMA (coated)
Packaging unit	10 Pieces



All dimensions in mm (1 mm = 0.03937 Inch)

Screening Grid for ZSP-NN-02
Part Number Z0020
Mechanical Data

Material	PMMA (coated)
Packaging unit	10 Pieces

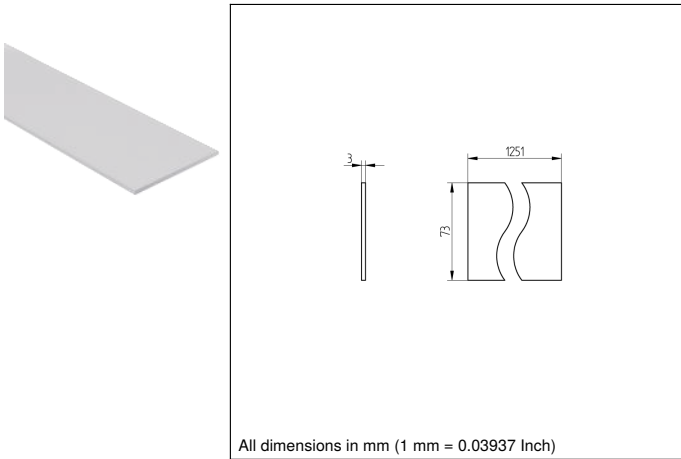


All dimensions in mm (1 mm = 0.03937 Inch)

Screening Grid for SZ000EG125NN01
Part Number Z0030

Mechanical Data

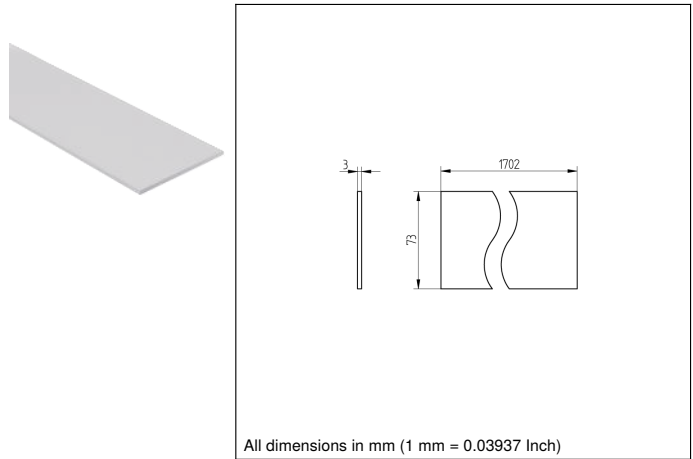
Material	Polycarbonate
Length	930 mm
Packaging unit	2 Pieces



Screening Grid for SZ000EG170NN01
Part Number Z0031

Mechanical Data

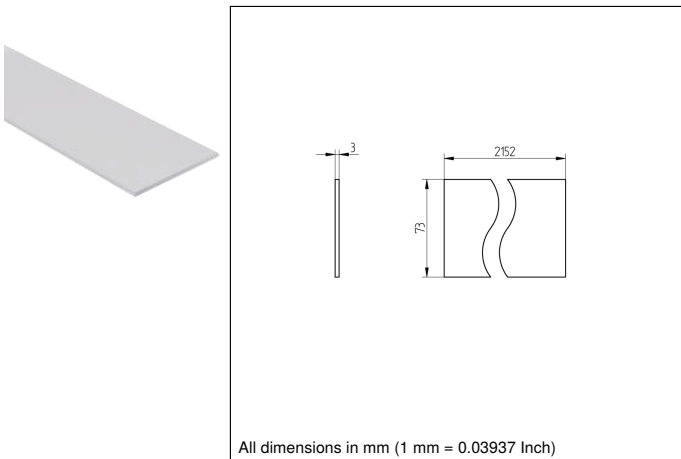
Material	Polycarbonate
Length	1380 mm
Packaging unit	2 Pieces



Screening Grid for SZ000EG215NN01
Part Number Z0032

Mechanical Data

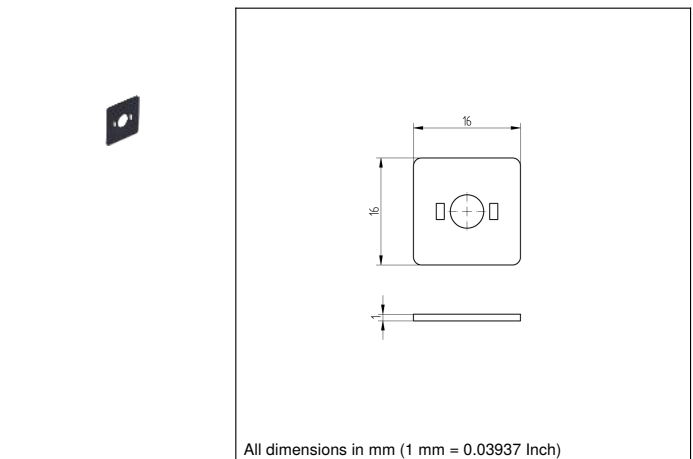
Material	Polycarbonate
Length	1830 mm
Packaging unit	2 Pieces



Shaped Packing for 16 x 16 x 1 valve OPT
Part Number Z0034

Mechanical Data

Material	NBR
Packaging unit	10 Pieces



Screw
Part Number Z0036
Mechanical Data

Length	22 mm
Material	Steel zinc-plated
Packaging unit	20 Pieces



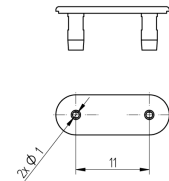
All dimensions in mm (1 mm = 0.03937 Inch)

Rubber Seal for ZSN-NN-02
Part Number Z0042
Mechanical Data

Material	NBR
Packaging unit	10 Pieces


Housing LWL Adapter
Part Number Z0037
Mechanical Data

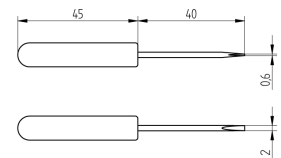
Material	Plastic
Packaging unit	10 Pieces



All dimensions in mm (1 mm = 0.03937 Inch)

Screw Driver
Part Number Z0039

Packaging unit	10 Pieces
----------------	-----------

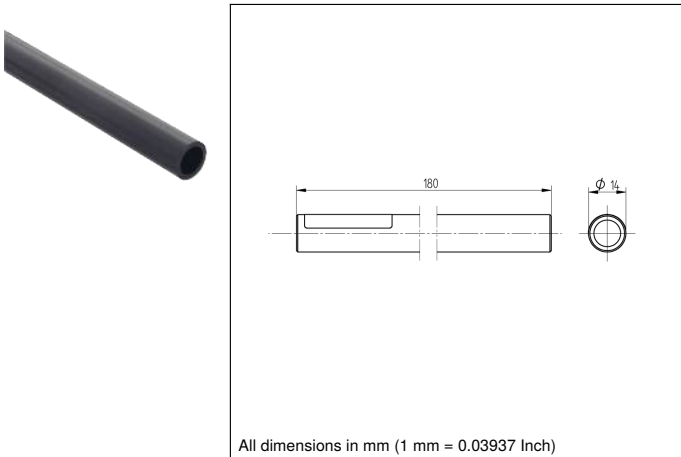


All dimensions in mm (1 mm = 0.03937 Inch)

Testing Stick for Safety Technology
Part Number ZEMG003

Mechanical Data

Material	Aluminum, anodised
Diameter	14 mm
Packaging unit	1 Piece

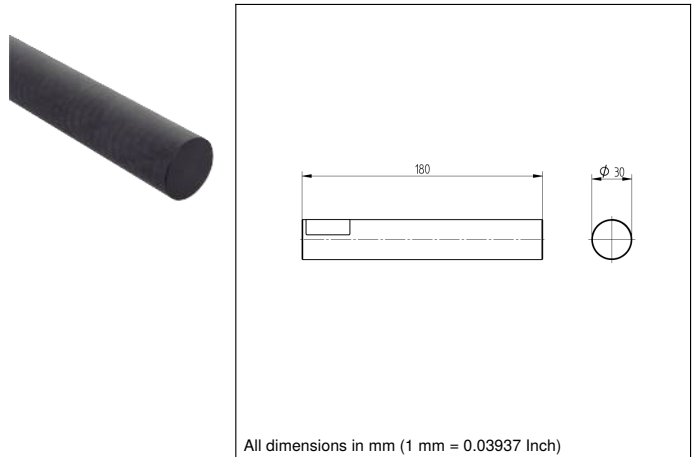


All dimensions in mm (1 mm = 0.03937 Inch)

Testing Stick for Safety Technology
Part Number ZEMG004

Mechanical Data

Material	PVC
Diameter	30 mm
Packaging unit	1 Piece

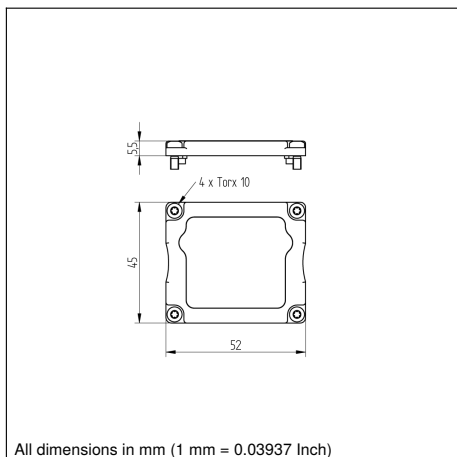


All dimensions in mm (1 mm = 0.03937 Inch)

Disk for B50/C50
Part Number ZNNG012

Mechanical Data

Material	PMMA
Packaging unit	1 Piece



All dimensions in mm (1 mm = 0.03937 Inch)

MicroSD card
Part Number ZNNG013

Electrical Data

Temperature Range	-25...85 °C
Capacity range	4 GB

Mechanical Data

Material	Plastic
Packaging unit	1 Piece



Replacement disk for FIS-6801
Part Number ZNNG015

Mechanical Data

Material	Plastic
Packaging unit	1 Piece



Index

alphabetical

Part Number		Page
BEF-SET-01	Mounting Set	2
BEF-SET-02	Mounting Set	2
BEF-SET-03	Mounting Set	2
BEF-SET-04	Mounting Set	2
BEF-SET-05	Mounting Clamp	2
BEF-SET-06	Mounting Clamp	2
BEF-SET-07	Mounting Set	3
BEF-SET-08	Mounting Set	3
BEF-SET-09	Mounting Set	3
BEF-SET-10	Mounting Set	3
BEF-SET-11	Mounting Set	3
BEF-SET-13	Mounting Set	3
BEF-SET-14	Mounting Set	4
BEF-SET-18	Mounting Element	4
BEF-SET-19	Mounting Set	4
BEF-SET-20	Mounting Set	4
BEF-SET-21	Mounting Set	4
BEF-SET-23	Mounting Set	4
BEF-SET-27	Mounting Set	5
BEF-SET-28	Mounting Set	5
BEF-SET-33	Mounting Set	5
BEF-SET-34	Mounting Set	5
BEF-SET-35	Mounting Set	5
BEF-SET-36	Mounting Set	5
BEF-SET-37	Mounting Set	6
BEF-SET-38	Mounting Set	6
BEF-SET-39	Mounting Set	6
BEF-SET-40	Mounting Set	6
BEF-SET-41	Mounting Set	6
BEF-SET-42	Mounting Set	6
BEF-SET-43	Mounting Set	7
BEF-SET-44	Mounting Set	7
E1L	Adjustment Key	7
E2L	Adjustment Key	7
GS1	Glass Disk	7
GS2	Glass Disk	7
JU2	Adjustment Disk	8
K50	Optical Fiber Plastic	8
K51	Optical Fiber Plastic	8
K53	Optical Fiber Plastic	8
L1	Replacement Lamp	9
MUTTER-M12-E001	Hex-Nut	9
MUTTER-M12-E002	Hex-Nut	10
MUTTER-M18-E001	Hex-Nut	10
MUTTER-M18-E002	Hex-Nut	10
MUTTER-M18-E003	Hex-Nut	10
MUTTER-M18-E012	Hex-Nut	11
MUTTER-M30-E001	Hex-Nut	11

Part Number		Page
MUTTER-M30-E002	Hex-Nut	11
MUTTER-M30-E003	Hex-Nut	11
MUTTER-M5-E003	Hex-Nut	9
MUTTER-M8-E001	Hex-Nut	9
MUTTER-M8-E002	Hex-Nut	9
UEM18KU-01	Cap Nut	12
UEM18KU-02	Cap Nut	12
UEM18ME-01	Cap Nut	12
UEM30KU-01	Cap Nut	12
UEM30ME-01	Cap Nut	13
VENTILZUBE-K03	Valve Accessory	13
VENTILZUBE-K09	Valve Accessory	13
VENTILZUBE-K10	Valve Accessory	13
Z0001	Plastic Washer	13
Z0002	Indication Label ATEX	13
Z0004	Hex-Nut	14
Z0005	Hex-Nut	14
Z0006	Hex-Nut	14
Z0008	Mounting Console	14
Z0013	Sealing Ring	14
Z0017	Screening Grid	15
Z0018	Screening Grid	15
Z0019	Screening Grid	15
Z0020	Screening Grid	15
Z0030	Screening Grid	16
Z0031	Screening Grid	16
Z0032	Screening Grid	16
Z0034	Shaped Packing	16
Z0036	Screw	17
Z0037	Housing LWL Adapter	17
Z0039	Screw Driver	17
Z0042	Rubber Seal	17
ZEMG003	Testing Stick	18
ZEMG004	Testing Stick	18
ZNNG012	Disk	18
ZNNG013	MicroSD card	18
ZNNG015	Replacement disk	18